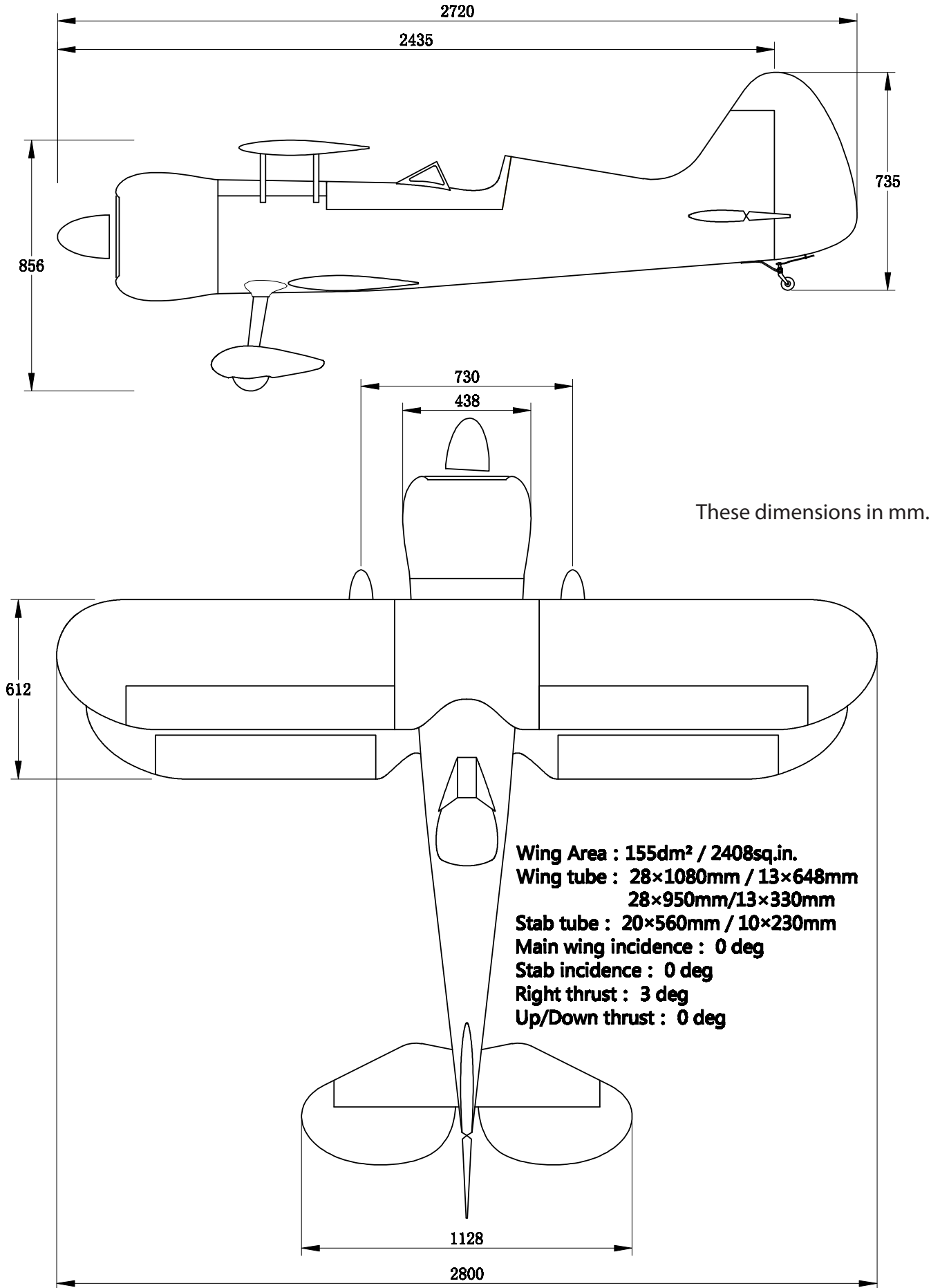


MUSCLE BIPE 110



These dimensions in mm.

SPECS

WingSpan: 110" Spinner: 5.5"
 Length: 108" Weight: 39-42 lbs.

Center of Gravity: Center of gravity is center of upper wing tube to 2" behind this point.

Control settings:

Aileron Low: 20 deg up, 20 deg down 18-20% exponential
 High: 38 deg up, 37 deg down 50-60% exponential

Elevator Low: 10-12 deg 18-20% exponential
 High/3D: 45-50 deg 50-60% exponential

Rudder Low: 20 deg 50-60% exponential
 High: 45+ deg 60-80% exponential

Power System:

DA 150, DA 170, GP 178, DA 200
 Blazing Star DA170 mount
 Flow Master 50 oz. Fuel Tank
 KS-95 rear exhaust canisters
 MTW Re3 / KS-1090 tuned pipes
 90mm header drop

Servos: Qty. 7 high torque metal gear premium digital servos
 SAVOX 2290, JR8911, MKS HBL 599
 Throttle Servo: MKS HV1250
 Choke servo for DA 200

Servo Arms

Qty. 4 Extreme Flight 1.5 inch single servo arms (tapped 3mm) for Ailerons
 Qty. 2 Extreme Flight 2 inch single servo arms (tapped for 3mm) for Elevators
 Qty. 2 Extreme Flight 2 inch servo arm (tapped for 3mm) for Push-Pull Rudder

Servo Extensions

Qty. 2 Extreme Flight 20 AWG 36 inch for upper wing Ailerons servos
 Qty. 2 Extreme Flight 20 AWG 12 inch for lower wing Ailerons servos
 Qty. 3 Extreme Flight 20 AWG 48 inch for Elevators and Push-Pull Rudder servos
 Qty. 1 Extreme Flight 20 AWG 24 inch for Throttle servo
 Qty. 1 Extreme Flight 20 AWG 24 inch for Choke servo
 Because of the different wire routings possible to the upper and lower wings, it is recommended to have several additional 6" and 12" extensions on hand for the build.

Covering:

Red/White/Gold color scheme:

Oracover colors	Ultracote colors
Ferrari Red #23	True Red-#HANU866
White #10	White-# HANU870
Gold #92	Gold-#HANU879

Yellow/Black/Silver color scheme:

Cadmium Yellow #33	Bright Yellow-#HANU872
Silver # 91	Silver-#HANU881
Black #71	Black-#HANU874

Blue/White/Gold color scheme:

Oracover colors	Ultracote colors
Dark Blue #52	Midnight Blue-#HANU885
White #10	White-# HANU870
Gold #92	Gold-#HANU879

EXTREME FLIGHT X