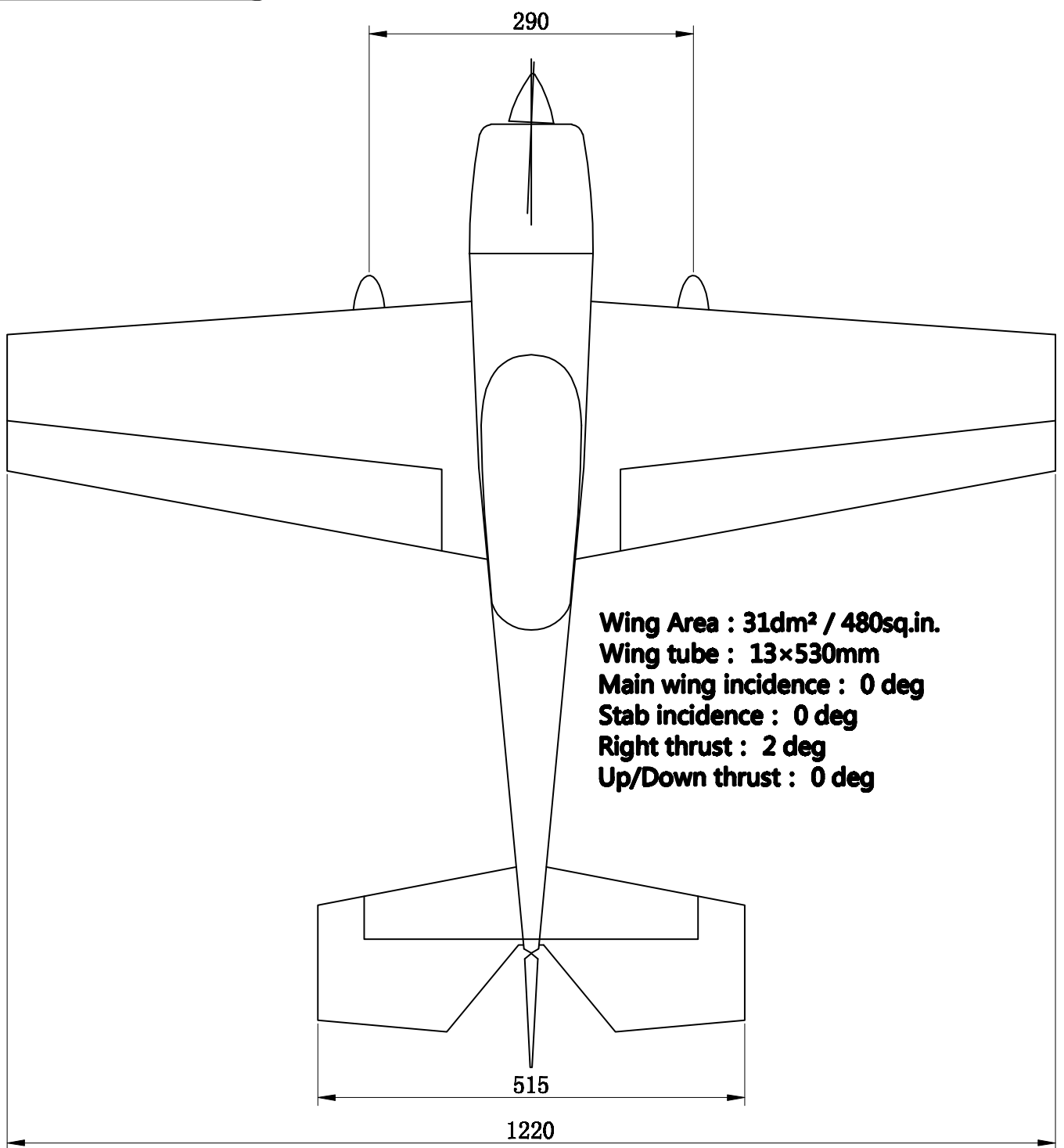
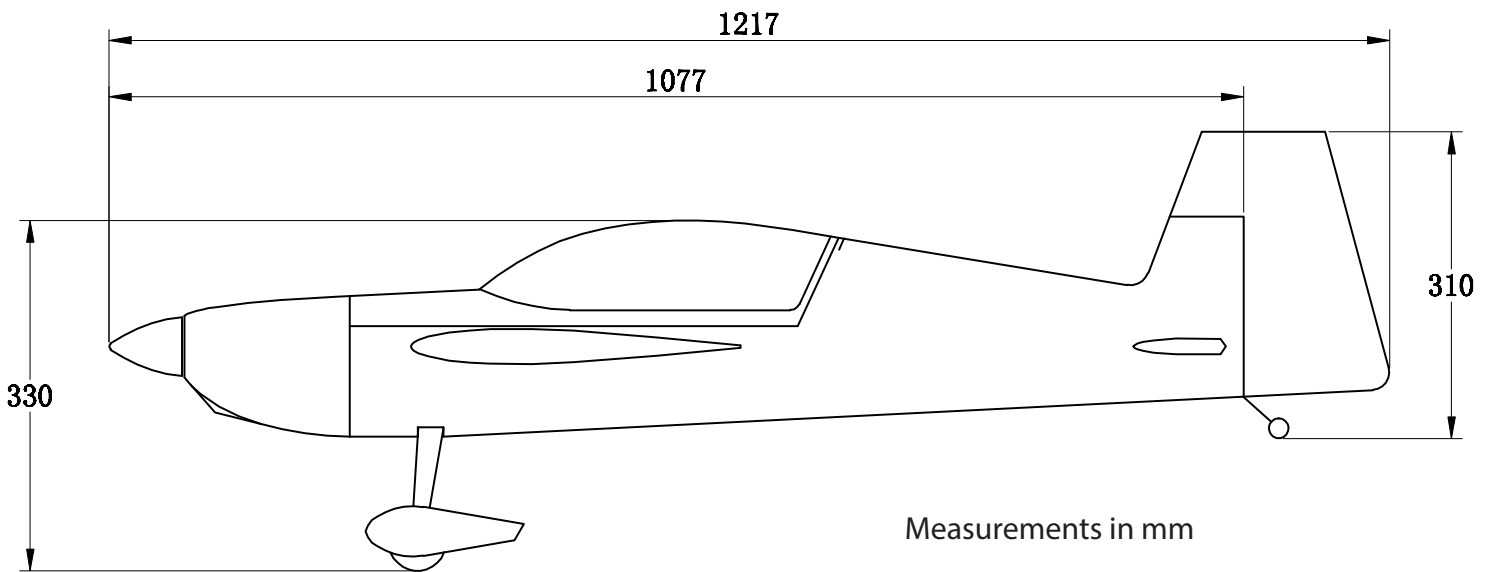


48" Extra 300 V2



SPECS

WingSpan: 48"
 Length: 48"
 Wing area: 480 sq. in.

Spinner: 52mm
 Weight: 44-48 oz.

Center of Gravity: Balance on the wing tube for a precision CG or for maiden flight. Move back for 3D flight according to pilot preference.

Control settings:

Elevator: Low Rate 8-10 deg. 15-20% expo
 3D Rate 45-50 deg. 60-65% expo
 XA/Tumbling rate 60+ deg. 65-70% expo

Aileron: Low Rate 15-20 deg. 40-45% expo
 High Rate 35-40 deg. 70-75% expo

Rudder: Low Rate 20 deg 40-45% expo
 High Rate 45-50 deg. 80-90% expo

Power system:
 T-Motor AM480 900KV 4S 2200 - 2700mAh LiPo
 T-Motor AM480 600KV 6S 1800-2200mAh Lipo
 T-Motor 13x6.5 prop

T-Motor AM66 ESC

Servos:
 (micro) Savox SH-0255MGP

Servo Extensions:
 QTY 2 Extreme Flight 18" 28AWG
 QTY 4 Extreme Flight 3" 28AWG

COVERING and PAINT

Oracover	Ultracote	RAL Paint Code
----------	-----------	----------------

Red/Yellow/Blue color scheme:

Dark Blue #52	Midnight Blue- # HANU885	RAL5013
Ferrari Red #23	True Red #HANU 866	RAL3000
Cub Yellow #30	Cub Yellow #HANU884	RAL1003
Silver #91	Silver-#HANU881	N/A

Blue/Orange/White color scheme

Dark Blue #52	Midnight Blue- # HANU885	RAL5013
White #10	White-# HANU870	RAL9010
Silver #91	Silver-#HANU881	N/A
#60 orange	Orange #HANU 877	RAL2004
#53 sky blue	Sky Blue #HANU 875	RAL5015