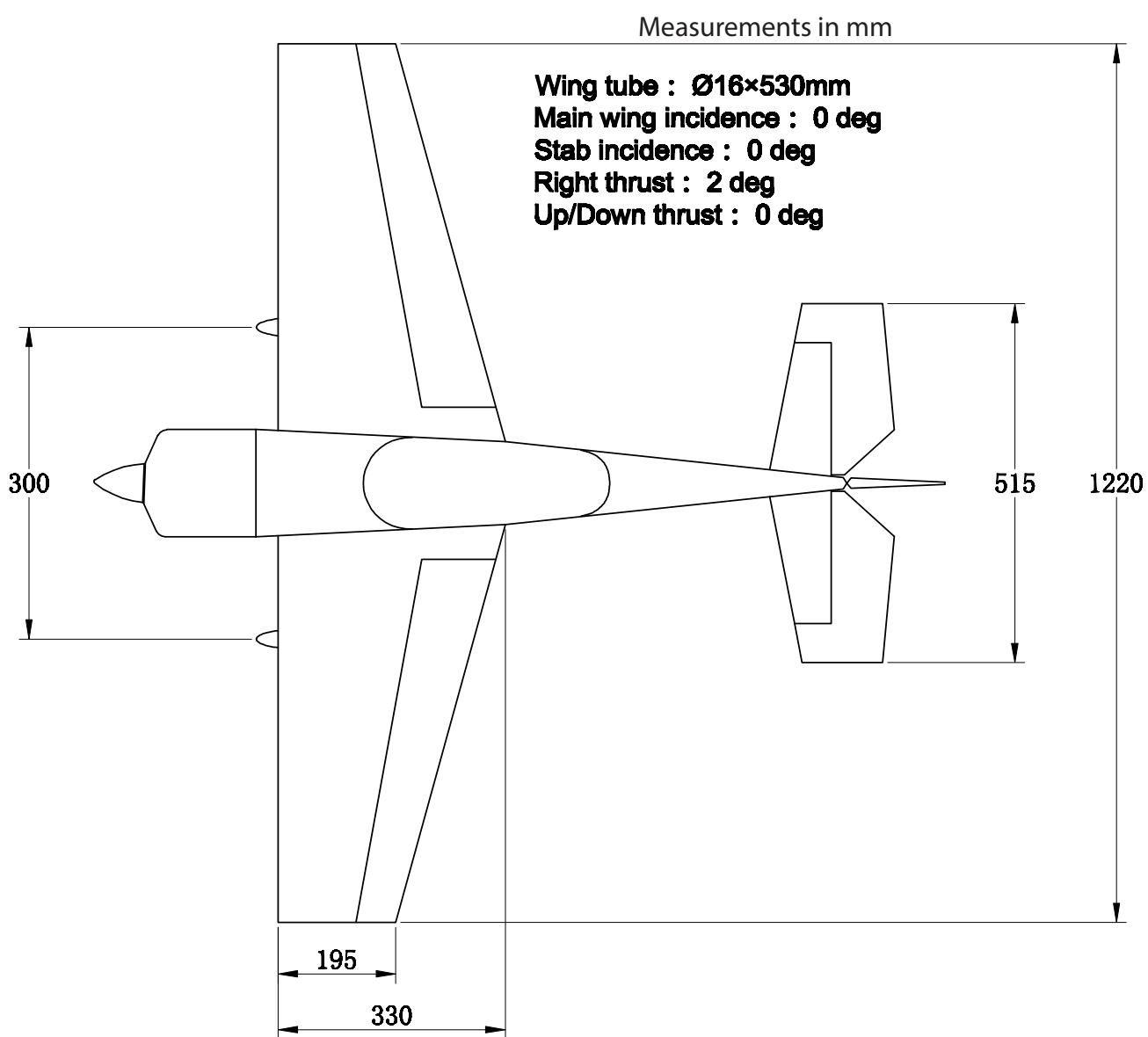
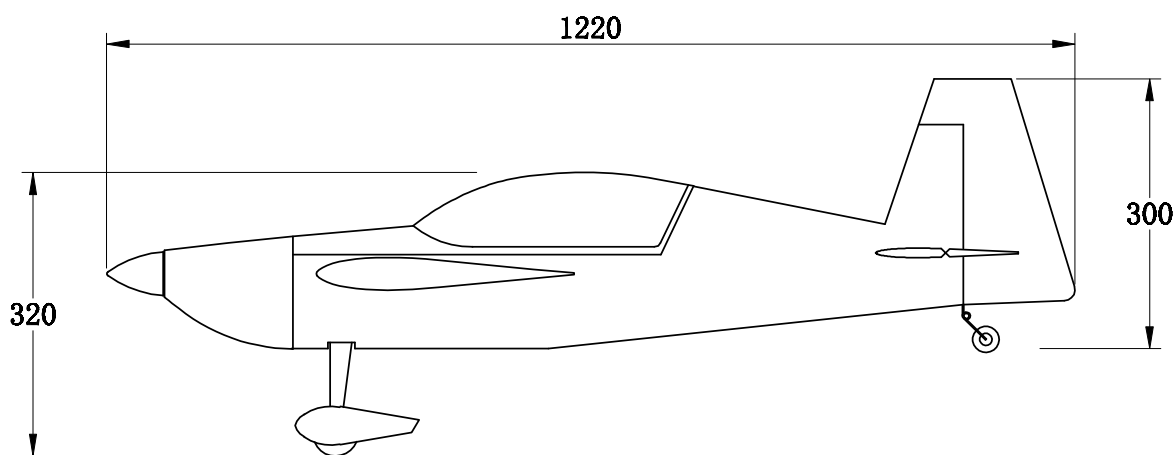


48" EDGE 540T V2



SPECS

WingSpan: 48"
 Length: 48"
 Wing area: 505 sq. in.

Spinner: 52mm
 Weight: 44-48 oz.

Center of Gravity range (measured from wing leading edge at root): 3.75-4.25" (95-108mm)

Control settings:

Elevator: Low Rate 8-10 deg. 15-20% expo
 3D Rate 45-50 deg. 60-65% expo
 XA/Tumbling rate 60+ deg. 65-70% expo

Aileron: Low Rate 15-20 deg. 40-45% expo
 High Rate 35-40 deg. 70-75% expo

Rudder: Low Rate 20 deg 40-45% expo
 High Rate 45-50 deg. 80-90% expo

Power system:

T-Motor AM480 900KV 4S 2200 - 2700mAh LiPo
 T-Motor AM480 600KV 6S 1800-2200mAh Lipo
 T-Motor 13x6.5 prop

T-Motor AM66 ESC

Servos:

(micro) Savox SH-0255MGP

Servo Extensions:

QTY 2 Extreme Flight 18" 28AWG
 QTY 4 Extreme Flight 3" 28AWG

COVERING:

Oracover

Ultracote

BLUE SCHEME

Cub Yellow #30
 Cadmium Yellow #33
 Blue #50
 White #10
 Dark Blue #52
 Silver #91

Cub Yellow-#HANU884
 Bright Yellow-#HANU872,
 Deep Blue-#HANU873
 White #HANU870
 Midnight Blue #HANU885
 Silver #HANU881

RED SCHEME

Ferrari Red #23
 White #10
 Pearl Charcoal #77
 Silver #91
 Black #71

True Red #HANU 866
 White #HANU870
 Pearl Charcoal-#HANU846,
 Silver #HANU881
 Black #HANU874

EXTREME FLIGHT 