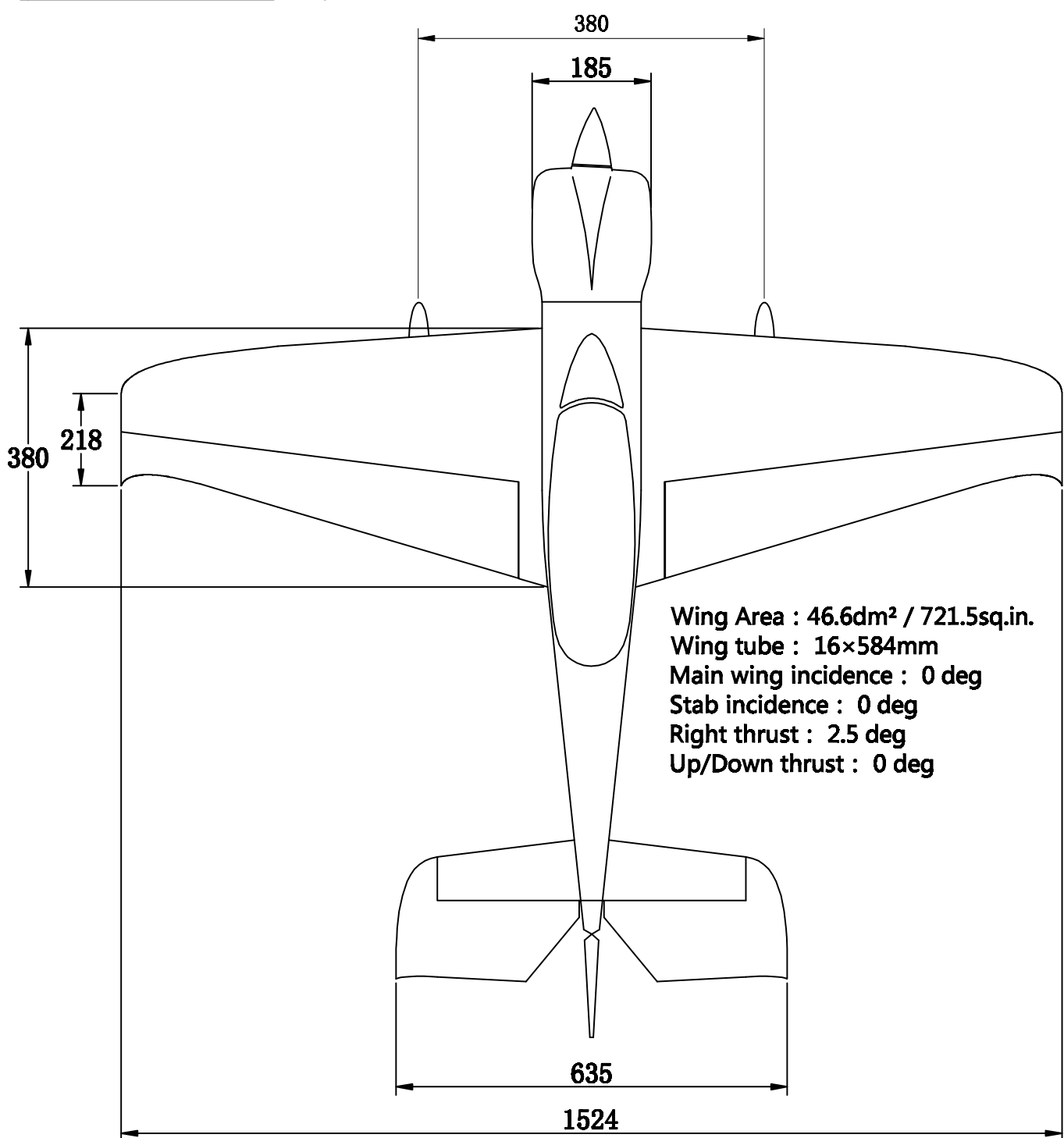
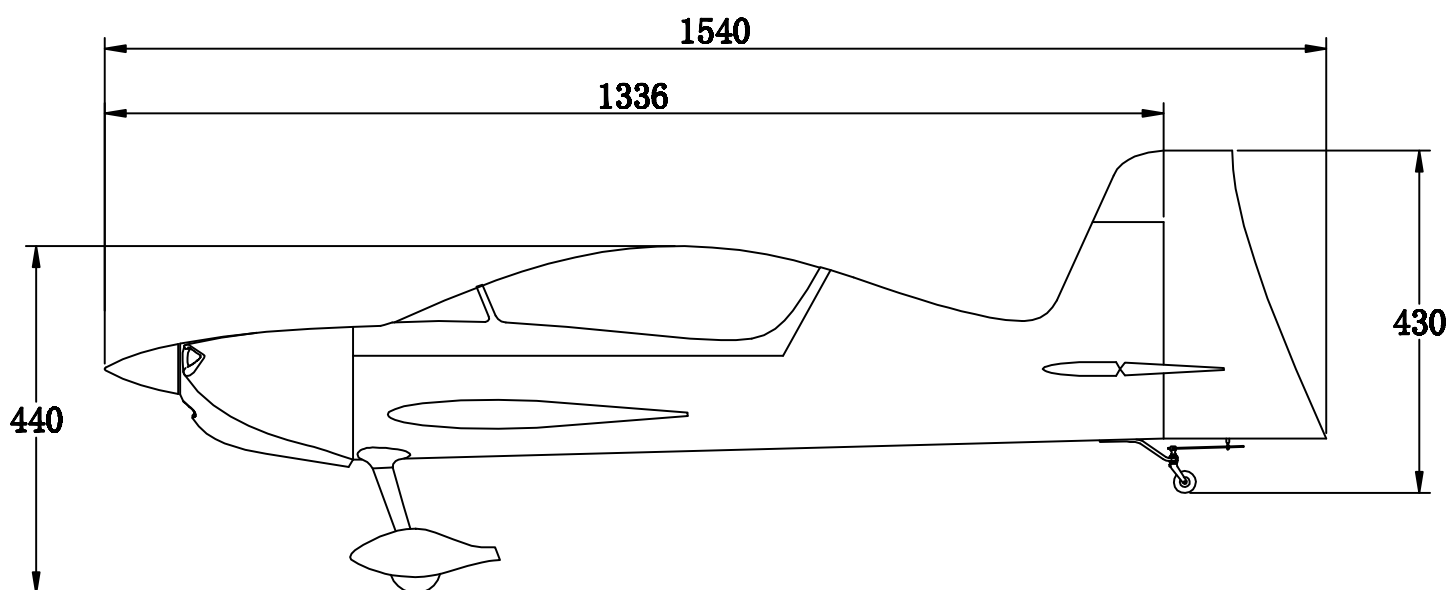


GAMEBIRD 60V2



SPECS

WingSpan: 60"
 Length: 60"
 Wing area: 721 sq. in.

Spinner: 63mm
 Weight: 6-6.5 lb

Center of Gravity: For sport or precision flying, balance level on the wing spar tube.

For 3D flight balance on the rear of the tube to 1/2" behind tube. Adjust to preference after flight.

Control settings:

Elevator: Low Rate 8-10 deg. 15-20% expo
 3D Rate 45-50 deg. 60-65% expo
 XA/Tumbling rate 60+ deg. 65-70% expo

Aileron: Low Rate 15-20 deg. 40-45% expo
 High Rate 38-40 deg. 70-75% expo

Rudder: Low Rate 20 deg 40-45% expo
 High Rate 45-50 deg. 80-90% expo

Power system:

T-Motor AM600 Motor T-Motor 16x8 prop
 XPWR 22cc Motor 16x7-16x8 Wood electric prop
 T-Motor AM116 ESC

6S 3300-4000mah Lipo

Servos:

QTY 4 mini metal gear servos
 SAVOS SV-1261 / EF/Theta TH988

QTY 4 Extreme Flight 1.25" Servo arms

Servo Extensions:

QTY 2 Extreme Flight 24" 28AWG
 QTY 2 Extreme Flight 3" 28AWG

COVERING:

Oracover

Ultracote

RAL Paint Code

GREEN SCHEME

May green #43
 White #10
 Black #71
 Silver #91

Apple green #HANU903
 White #HANU870
 Black-#HANU874
 Silver #HANU881

RAL6018
 RAL9010
 N/A
 M/A

RED SCHEME

Ferrari Red #23
 White #10
 Black #71

True Red #HANU 866
 White #HANU870
 Black-#HANU874

RAL3000
 RAL9010
 N/A

EXTREME FLIGHT X