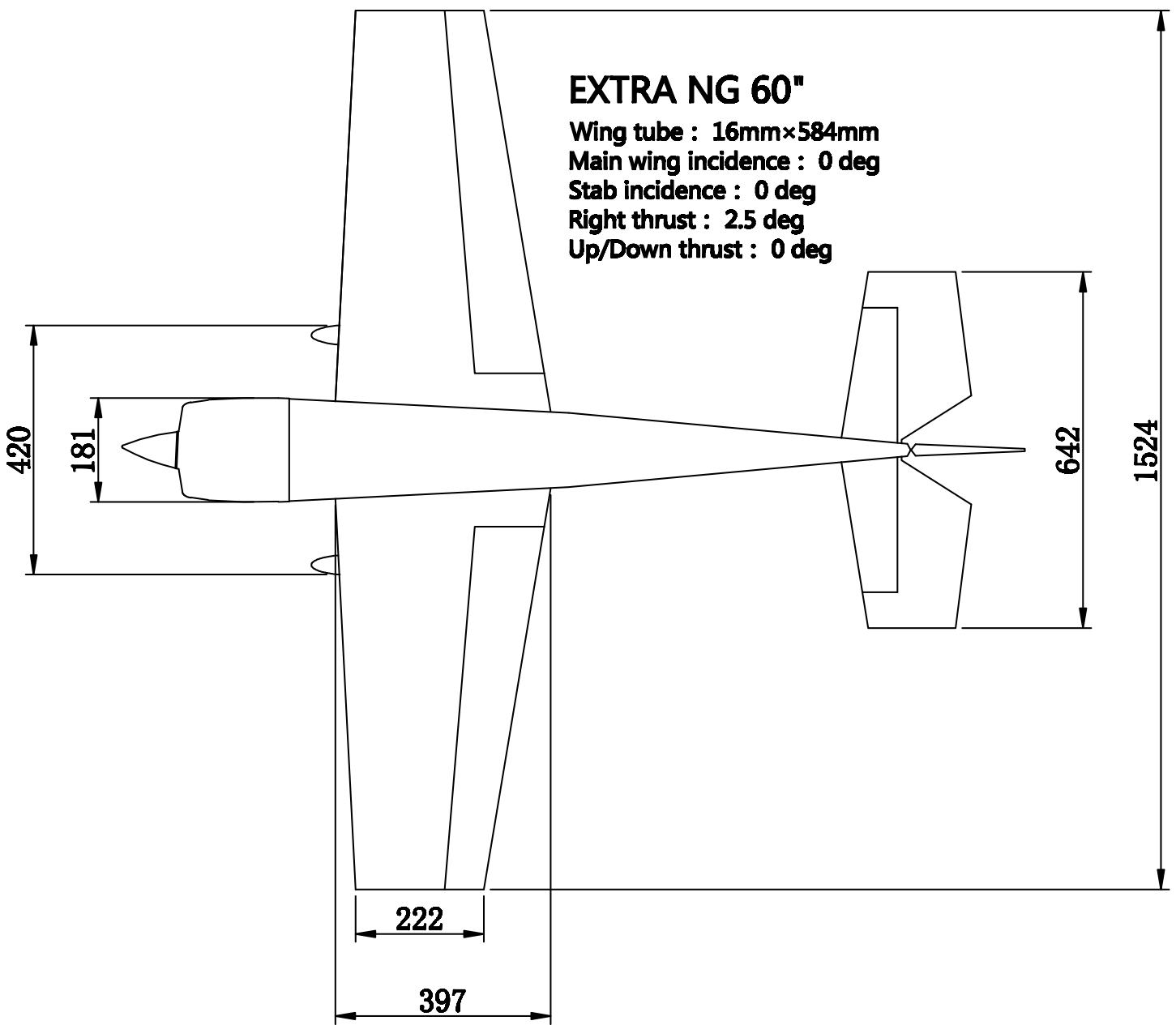
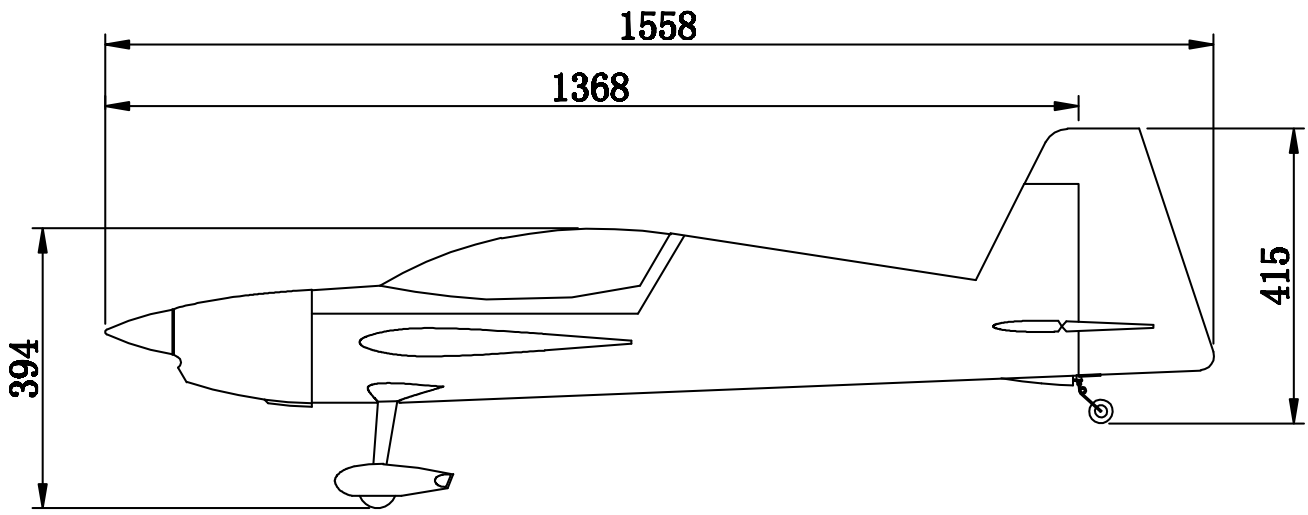


EXTRA NG

60"
XPWR22CC



SPECS

WingSpan: 60" Spinner: 63mm
 Length: 61" Weight: 6-6.5 lb
 Wing area: 731 sq. in.

Center of Gravity range (measured from wing leading edge at root): 4-4.75" (100-120mm)

Control settings:

Elevator: Low Rate 8-10 deg. 15-20% expo
 3D Rate 45-50 deg. 60-65% expo
 XA/Tumbling rate 60+ deg. 65-70% expo

Aileron: Low Rate 15-20 deg. 40-45% expo
 High Rate 38-40 deg. 70-75% expo

Rudder: Low Rate 20 deg 40-45% expo
 High Rate 45-50 deg. 80-90% expo

Power system:

XPWR 22cc Motor 16x7-16x8 Wood electric prop

AirBoss 80A ESC - Factory Default Settings
 Castle Talon 90 ESC - Throttle Response MED/Brake OFF/Start Power NORMAL/Timing HIGH/PWM Outrunner
 Avian 100 ESC - Brake OFF/Start Power NORMAL/Timing 15

Servos:

QTY 4 mini metal gear servos
 HITEC HS-7245MH, MKS HV-747, SAVOX SV-1260MG

QTY 4 Extreme Flight 1.25" Servo arms

Servo Extensions:
 QTY 2 Extreme Flight 24" 28AWG
 QTY 2 Extreme Flight 3" 28AWG

COVERING:

Blue/White Scheme	Ultracote colors
Oracover colors	Pearl Charcoal #HANU846
Pearl Charcoal #77	Pearl Blue #HANU845
Pearl Blue #57	Midnight Blue #HANU885
Dark Blue #52	Cub Yellow #HANU884
Cub Yellow #30	Silver #HANU881
Silver #91	White #HANU870
White #10	

Red/Silver Scheme	Ultracote colors
Oracover colors	Pearl Charcoal #HANU846
Pearl Charcoal #77	Silver #HANU881
Silver #91	White #HANU870
White #10	Black #HANU874
Black #71	True Red #HANU 866
Ferrari Red #23	

EXTREME FLIGHT X