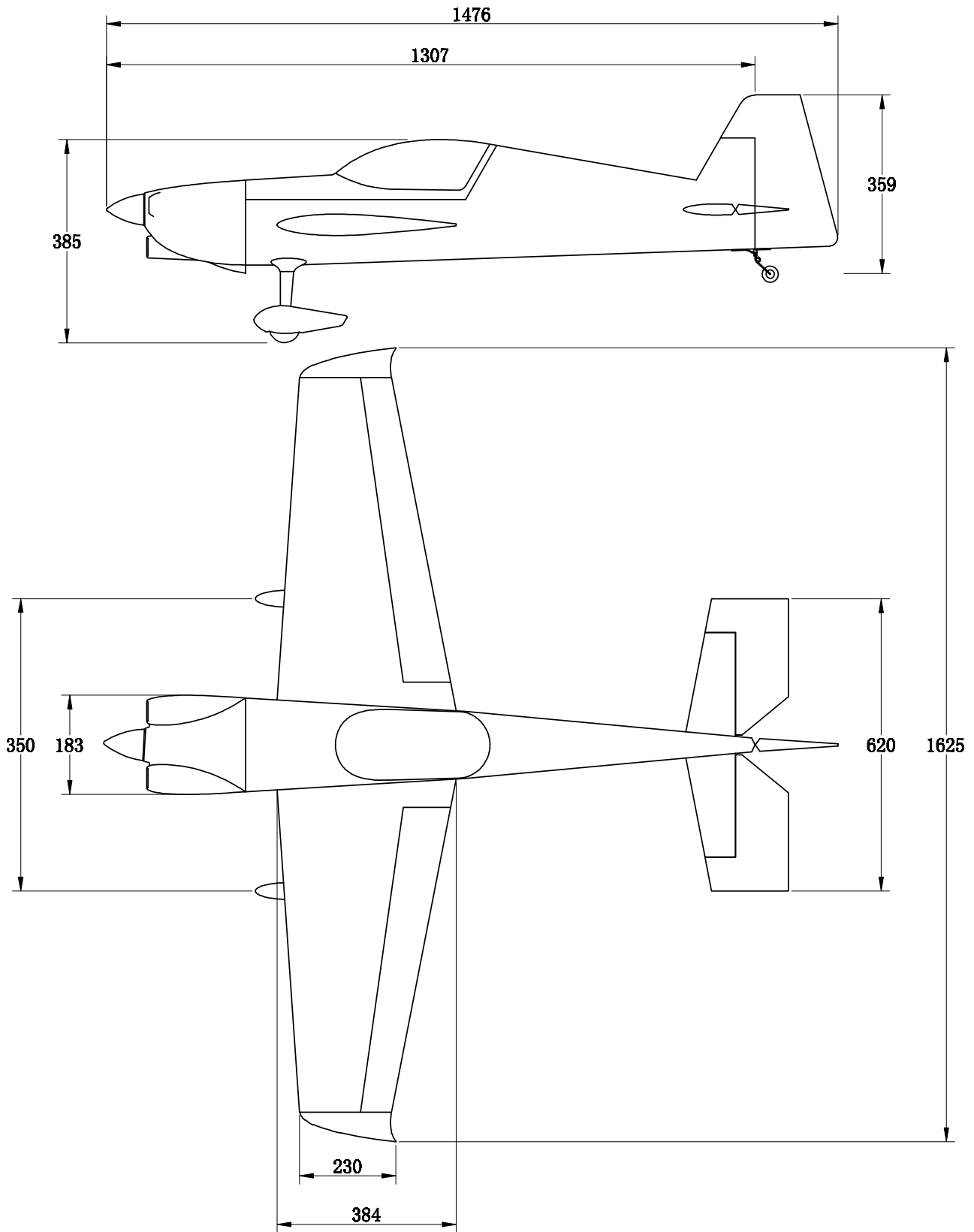


MXS_{v2}

64" XPWR22CC



SPECS

Wingspan: 64 inches (w/ tips) Main wing incidence: 0 deg Wing tube: 16mm x 584mm
Length: 58 inches Stab incidence: 0 deg Spinner: 63mm
Wing Area: 760 Sq. in. Right thrust: 2.5 deg
Weight: 6-6.5 lbs. Up/Down thrust: 0 deg

Center of Gravity range (measured from wing leading edge at root): 4.5" - 5.25" (114 - 133mm)

Control settings:

Elevator: Low Rate 8-10 deg. 15-20% expo
3D Rate 45-50 deg. 60-65% expo
XA/Tumbling rate 60+ deg. 65-70% expo

Aileron: Low Rate 15-20 deg. 40-45% expo
High Rate 38-40 deg. 70-75% expo

Rudder: Low Rate 20 deg 40-45% expo
High Rate 45-50 deg. 80-90% expo

Power system:

XPWR 22cc Motor 16x7-16x8 Wood electric prop

AirBoss 80A ESC - Factory Default Settings
Castle Talon 90 ESC - Throttle Response MED/Brake OFF/Start Power NORMAL/Timing HIGH/PWM Outrunner
Avian 100 ESC - Brake OFF/Start Power NORMAL/Timing 15

Servos:

QTY 4 mini metal gear servos
HITEC HS-7245MH, MKS HV-747, SAVOX SV-1260MG

QTY 4 Extreme Flight 1.25" Servo arms

Servo Extensions:

QTY 2 Extreme Flight 24" 28AWG
QTY 2 Extreme Flight 3" 28AWG

COVERING:

Oracover

Ultracote

GREEN SCHEME

May green #43
White #10
Dark Blue #52
Silver #91

Apple green #HANU903
White #HANU870
Midnight Blue #HANU885
Silver #HANU881

RED SCHEME

Ferrari Red #23
White #10
Dark Blue #52
Silver #91

True Red #HANU 866
White #HANU870
Midnight Blue #HANU885
Silver #HANU881

EXTREME FLIGHT