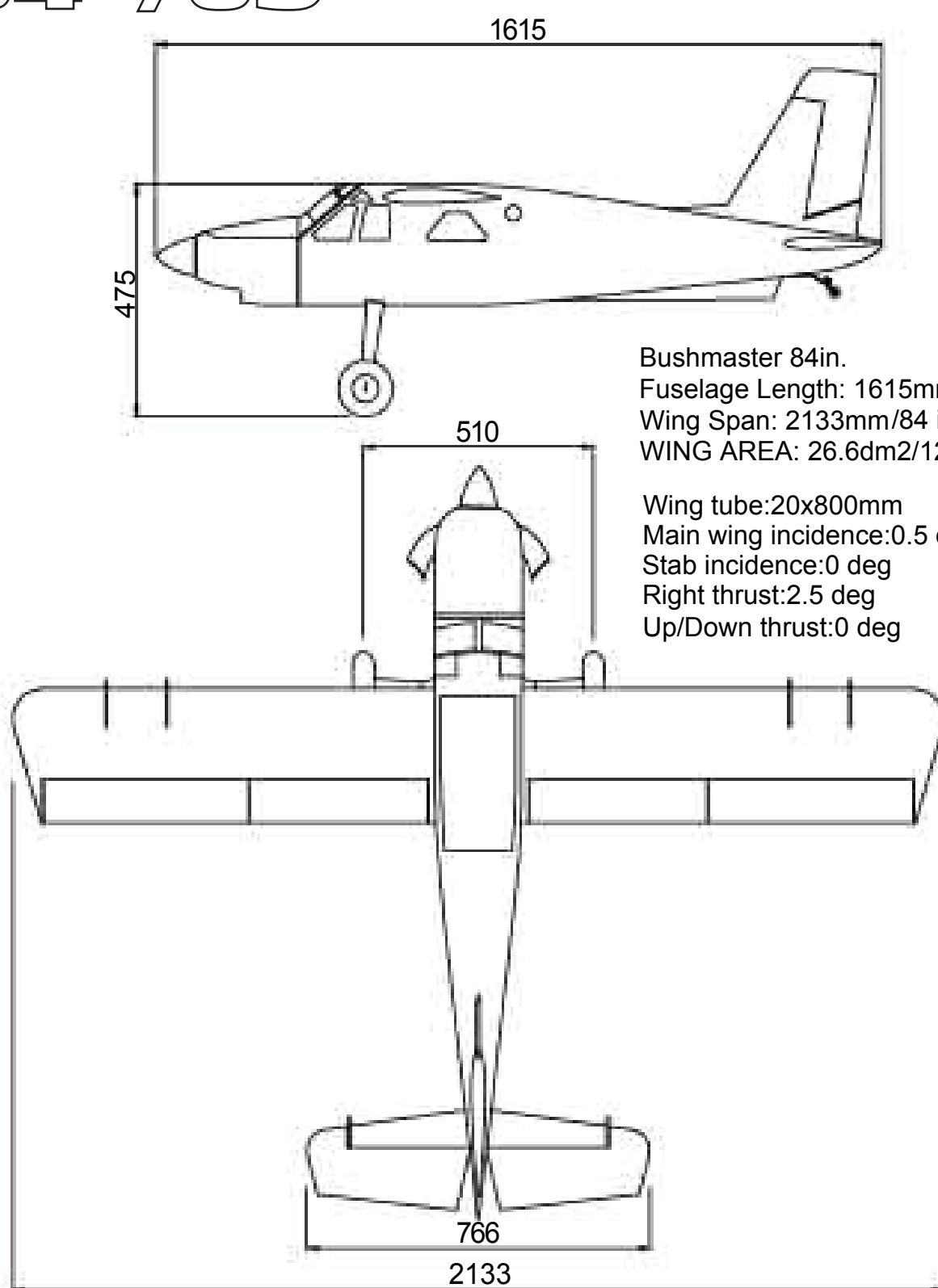


TURBO BUSHMASTER

84" / 6S

LEGACY[®] EXTREME FLIGHT AVIATION



Bushmaster 84in.
 Fuselage Length: 1615mm/63.6 in.
 Wing Span: 2133mm/84 in.
 WING AREA: 26.6dm²/1224.5 sq.in.

Wing tube:20x800mm
 Main wing incidence:0.5 deg
 Stab incidence:0 deg
 Right thrust:2.5 deg
 Up/Down thrust:0 deg

SPECS

Wingspan: 84 inches
 Length: 64 inches
 Wing Area: 800 sq. in.
 Weight: 7.5-8.5lbs depending on battery

Center of Gravity: For maiden, balance on the main wing tube and adjust to suit after flight.

Control settings:

Aileron Low: 20 deg up, 20 deg down 18-20% exponential
 High: 38 deg up, 37 deg down 50-60% exponential

Elevator Low: 10-12 deg 18-20% exponential
 High/3D: 45-50 deg 50-60% exponential

Rudder Low: 20 deg 50-60% exponential
 High: 45+ deg 60-80% exponential

Motor: T-Motor AM600 Motor
 ESC: T-Motor AM116
 Prop: 16x8
 Battery: 6S 3300- 4000mAh LiPo
 Spinner: EF Cyclone 63 mm spinner INCLUDED

Modern 7 channel computer radio and receiver
 Servos: Qty. 6 metal geared mini servos (Savox SV1250MG, Savox SV1261MG, Theta 989.)

Servo Arms: (5) 1.25" Lightweight EF Servo Arms tapped for 2mm (ailerons/flaps/elevator) (1) 3" Lightweight EF Servo Arm tapped for 2mm (elevator)

Extensions when using MPX multi wire servo plug:

(2) 12" 22-28awg extensions (outer ailerons to multi plug),
 (1) 24" 22-28awg extensions (elevator)

Covering:

White/Red/Black/Charcoal/Silver color scheme:

Oracover colors	Ultracote colors
Ferrari Red #23	True Red-#HANU866
White #10	White-# HANU870
Pearl Charcoal #77	PearlCharcoal-#HANU846
Silver #91	Silver-#HANU881
Black #71	Black-#HANU874

Bright Yellow/Deep Blue/Silver/Midnight Blue/Cub Yellow color scheme:

Cub Yellow #30	Cub Yellow-#HANU884
Dark Blue #52	Midnight Blue- # HANU885
Silver # 91	Silver-#HANU881
Pearl Charcoal #77	PearlCharcoal-#HANU846
White #10	White-# HANU870
Black #71	Black-#HANU874