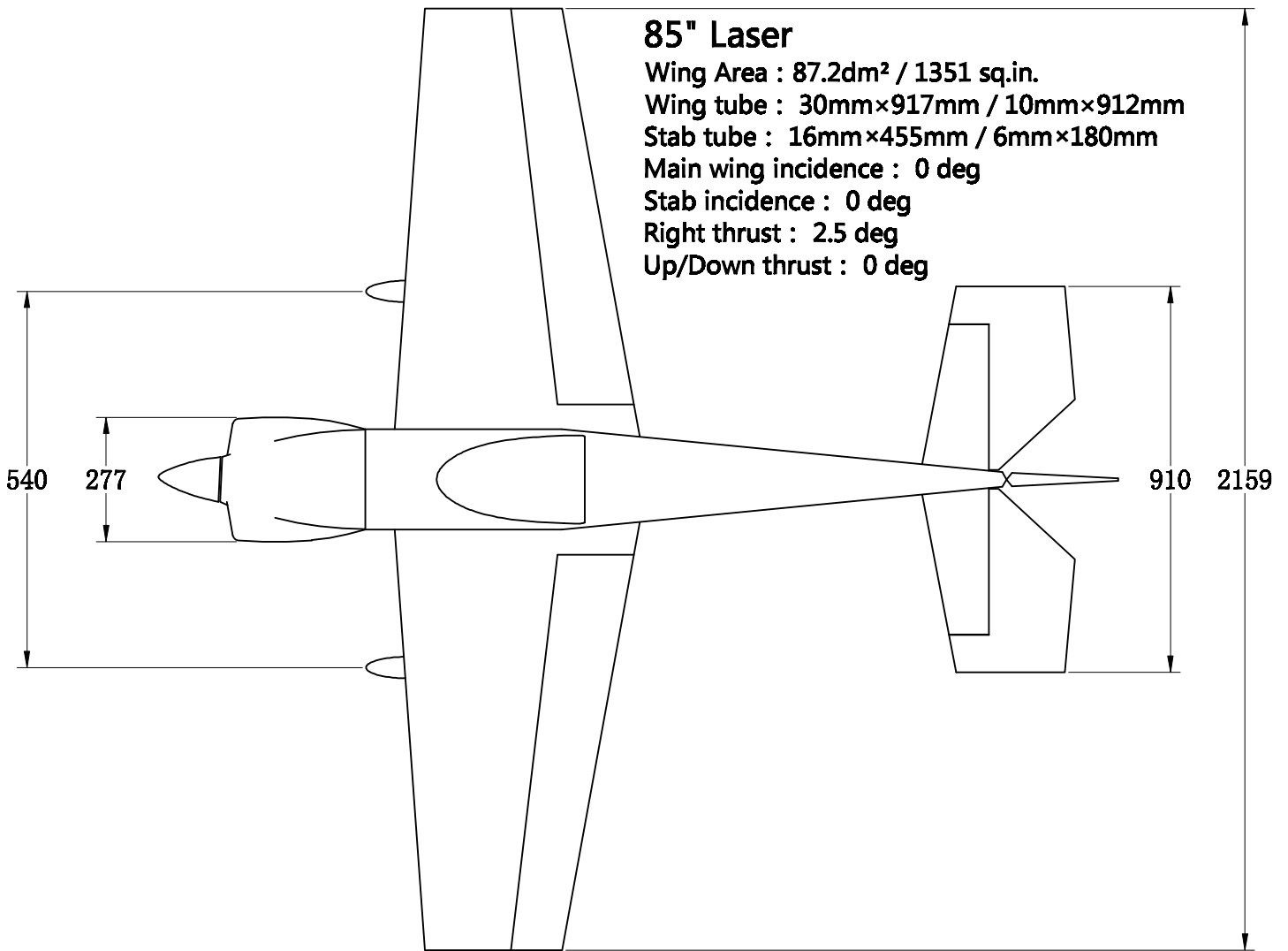
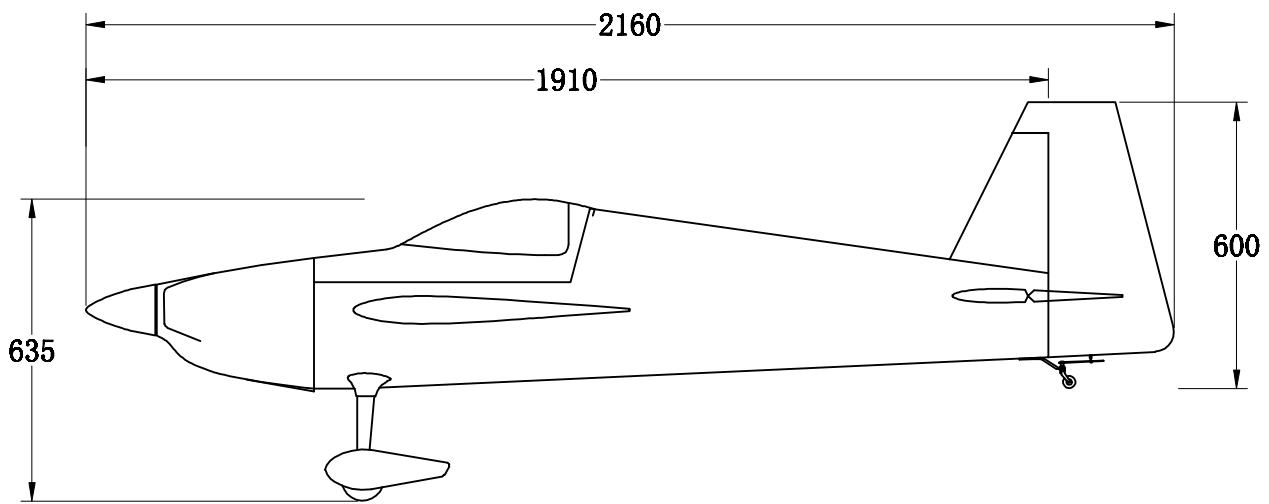


LASER 85"

50-60CC / 12S



SPECS

WingSpan: 85" Spinner: 4"
 Length: 85" Weight: 16.5-17.5 lbs.
 Wing area: 1351 sq. in.
 Center of Gravity for maiden: Center of Wing Spar Tube (after maiden move back to taste)

Control settings:

Elevator: Low Rate 8-10 deg. 15-20% expo
 3D Rate 45-50 deg. 60-65% expo
 XA/Tumbling rate 60+ deg. 65-70% expo

Aileron: Low Rate 15-20 deg. 40-45% expo
 High Rate 38-40 deg. 70-75% expo

Rudder: Low Rate 20 deg 40-45% expo
 High Rate 45-50 deg. 80-90% expo

Power system:

GAS
 Desert Aircraft DA 50 Prop: Carbon gas 23 x 8
 Great Power GP-61 Prop: Carbon gas 24 x 8
 FlowMaster 17 oz. fuel tank

ELECTRIC

Motor: Xpwr 60cc
 Standoffs: Blazing Star XXL standoffs
 ESC: Castle Creations HV-160 Edge ESC (Must Use Firmware v 4.22)
 Battery: Two 6S 4000-5000 mAh batteries in series (12S)
 Prop: Beechwood electric propeller: 24x10

Servos:

Qty. 5 full size, metal gear hi-torque servos (400 oz/in minimum). SAVOX 1280SG or Savox SV-1270TG
 Qty. 1 throttle servo, SAVOX SV-1270TG or similar

Qty. 2 Extreme Flight 1.5 inch single servo arms (tapped 3mm) for ailerons
 Qty. 3 Extreme Flight 2 inch single servo arms (tapped 3mm) for elevators and rudder

Servo Extensions:

Qty. 2 Extreme Flight 20 AWG 6 inch for Rx to Ailerons
 Qty. 2 Extreme Flight 20 AWG 12 inch for Ailerons
 Qty. 1 Extreme Flight 20 AWG 24 inch for Throttle servo
 Qty. 3 Extreme Flight 20 AWG 48 inch for Elevators and rudder

COVERING:

Oracover colors

White/Blue/Red color scheme:

Silver #91
 Dark Blue #52
 White #10
 Ferrari Red #23
 Sky Blue #53

Ultracote colors

Silver-#HANU881
 Midnight Blue- # HANU885
 White-# HANU870
 True Red #HANU 866
 Sly Blue #HANU 875

Red color scheme:

Dark Blue #52
 White #10
 Ferrari Red #23
 Gold #92

Midnight Blue- # HANU885
 White-# HANU870
 True Red #HANU 866
 Gold #HANU879