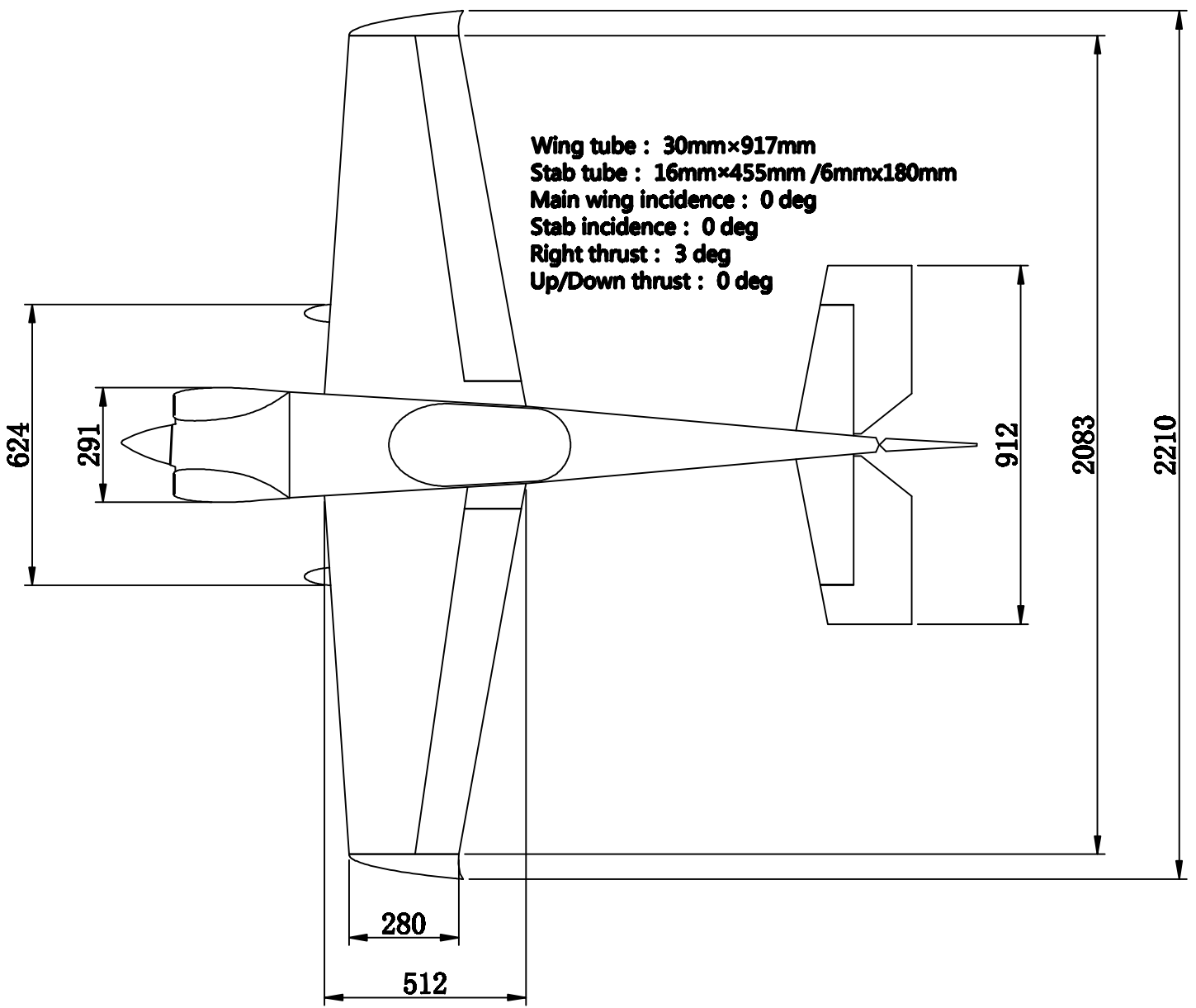
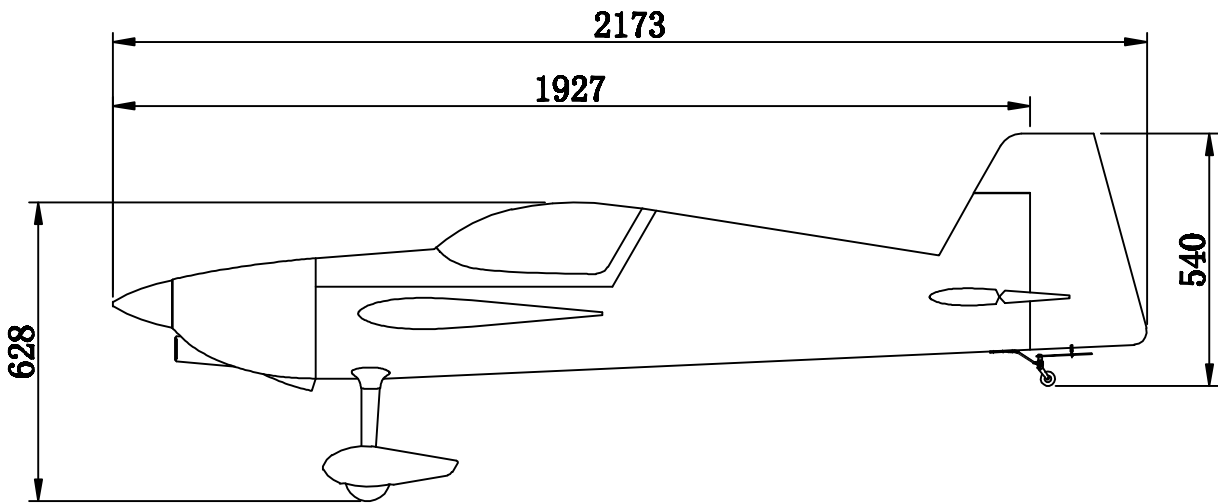


MKS

85" 50-60CC / 12S



SPECS

WingSpan: 87" with tips, 82" without

Length: 85"

Wing area: 1356 sq. in.

Center of Gravity Range (Measured from wing leading edge at root) 6.25-7" (158-178mm)

Spinner: 4"

Weight: 16.5-17.5 lbs.

Control settings:

Elevator: Low Rate 8-10 deg. 15-20% expo
3D Rate 45-50 deg. 60-65% expo
XA/Tumbling rate 60+ deg. 65-70% expo

Aileron: Low Rate 15-20 deg. 40-45% expo
High Rate 38-40 deg. 70-75% expo

Rudder: Low Rate 20 deg 40-45% expo
High Rate 45-50 deg. 80-90% expo

Power system:

GAS
Desert Aircraft DA 50 Prop: Carbon gas 23 x 8
Great Power GP-61 Prop: Carbon gas 24 x 8
FlowMaster 17 oz. fuel tank

ELECTRIC

Motor: Xpwr 60cc
Standoffs: Blazing Star XXL standoffs
ESC: Castle Creations HV-160 Edge ESC (Must Use Firmware v 4.22) or Scorpion Tribunus II 200A
Battery: Two 6S 4000-5000 mAh batteries in series (12S)
Prop: Beechwood electric propeller: 24x10

Servos:

Qty. 5 full size, metal gear hi-torque servos (400 oz/in minimum). MKS 777A+ or Savox SV-1270TG
Qty. 1 throttle servo, MKS HV-1250 recommended.

Qty. 2 Extreme Flight 1.5 inch single servo arms (tapped 3mm) for ailerons
Qty. 3 Extreme Flight 2 inch single servo arms (tapped for 3mm) for elevators and rudder

Servo Extensions:

Qty. 2 Extreme Flight 20 AWG 6 inch for Rx to Ailerons
Qty. 2 Extreme Flight 20 AWG 12 inch for Ailerons
Qty. 1 Extreme Flight 20 AWG 24 inch for Throttle servo
Qty. 3 Extreme Flight 20 AWG 48 inch for Elevators and rudder

COVERING:

Oracover Ultracote

GREEN SCHEME

May green #43 Apple green #HANU903
White #10 White #HANU870
Dark Blue #52 Midnight Blue #HANU885
Silver #91 Silver #HANU881

RED SCHEME

Ferrari Red #23 True Red #HANU 866
White #10 White #HANU870
Dark Blue #52 Midnight Blue #HANU885
Silver #91 Silver #HANU881

EXTREME FLIGHT X