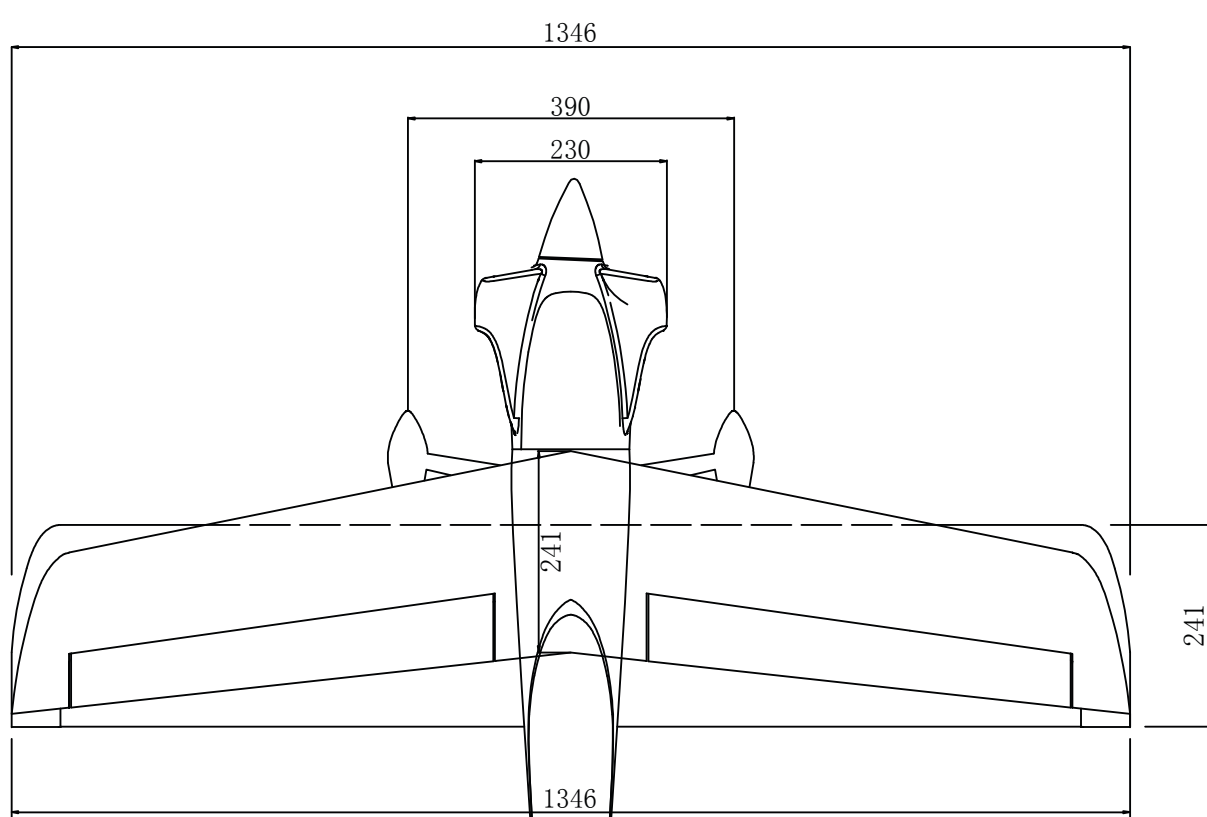
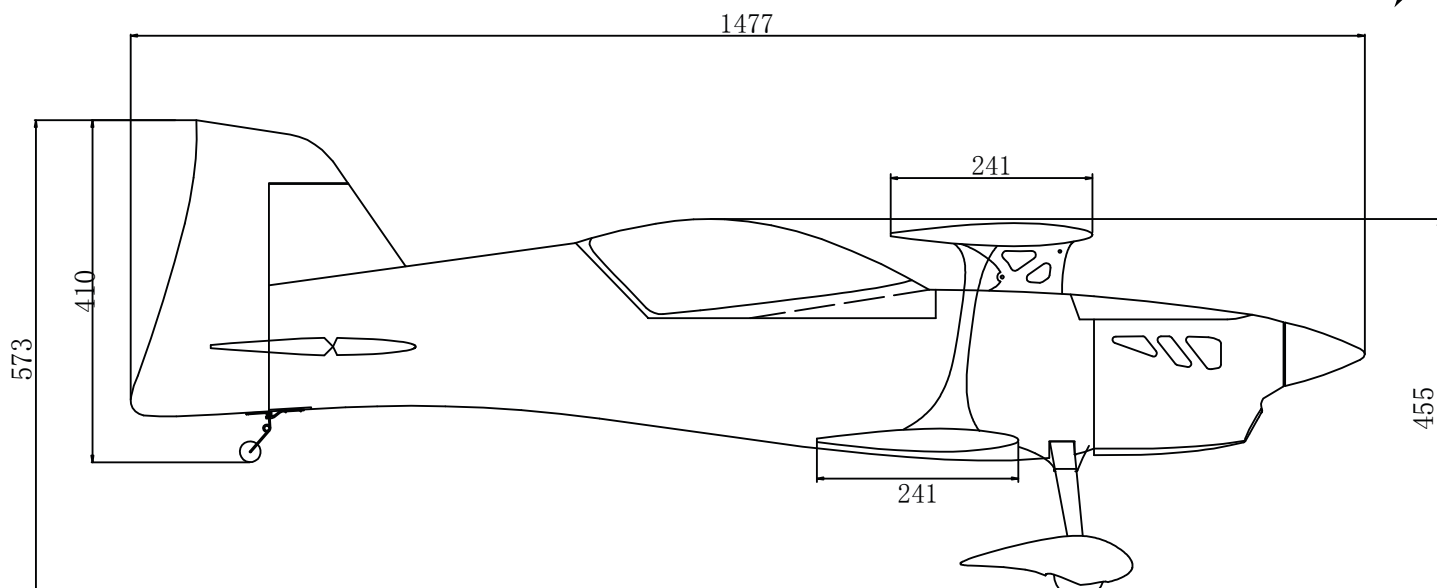
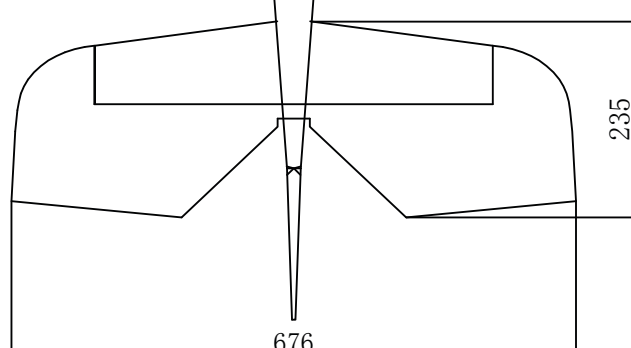


PEREGRINE



PEREGRINE 53in.
 Fuselage Length: 1477mm/58 in.
 Wing Span: 1346mm/53 in.
 WING AREA: 45.5dm²/705 sq. in.
 STAB AREA: 12.1dm²/187.6 sq. in.

Wing tube: ∅13x455mm
 Main wing incidence: 0 deg
 Stab incidence: 0 deg
 Right thrust: 2.5 deg
 Up/Down thrust: 0 deg



SPECS

WingSpan: 53"
 Length: 58"
 Wing area: 705 sq. in.

Spinner: 76mm (included)
 Weight: 5.5 - 6lb w/o lipo (2500-2700g w/o lipo)

Center of Gravity range (measured from upper wing leading edge at center): 4.75-5.25" (120-135mm) Support the Peregrine under the upper wing with your fingers, check where it hangs level. 120mm is a good precision/sport CG. For 3D use 135mm initially and move rearward to suit your preference.

Control settings:

Elevator: Low Rate 8-10 deg. 15-20% expo
 3D Rate 45-50 deg. 60-65% expo

Aileron: Low Rate 10-15 deg. 40-45% expo
 High Rate 32 deg. 70-75% expo

Rudder: Low Rate 15 deg 40-45% expo
 High Rate 32 deg. 75-80% expo

It is highly recommended that you use 32 deg hi-rate throw for rudder for your initial flights. The rudder on the Peregrine is extremely effective.

Power system:

XPWR 22cc Motor 16x7 electric prop

Castle Talon 90 ESC - Throttle Response MED/Brake OFF/Start Power NORMAL/Timing HIGH/PWM Outrunner
 Avian 100 ESC - Brake OFF/Start Power NORMAL/Timing 15

T-motor AM600 16x8 electric prop

T-motor AM116 esc

6S 3000-4000mah lipo

Servos:

QTY 2 mini metal gear servos for rudder and elevator
 HITEC HS-7245MH, MKS HV-747, SAVOX SV-1260MG

QTY 4 micro metal gear servos for ailerons
 MKS HV-69, Hitec D89MW

QTY 6 Extreme Flight 1.25" Servo arms

Servo Extensions:

QTY 2 Extreme Flight 24" 28AWG for rudder and elevator
 QTY 2 Extreme Flight 6" 28AWG for lower wing ailerons (Wing side)
 QTY 2 Extreme Flight 3" 28AWG for lower wing ailerons (Rx side)
 QTY 2 Extreme Flight 12" 28AWG for upper wing ailerons

COVERING:

Oracover

Ultracote

GREEN SCHEME

May green #43
 Dark Blue #52
 Black #71
 Silver #91

Apple green #HANU903
 White #HANU870
 Midnight Blue #HANU885
 Black-#HANU874
 Silver #HANU881

RED SCHEME

Ferrari Red #23
 White #10
 Black #71
 Silver #91

True Red #HANU 866
 White #HANU870
 Black-#HANU874
 Silver #HANU881

EXTREME FLIGHT X