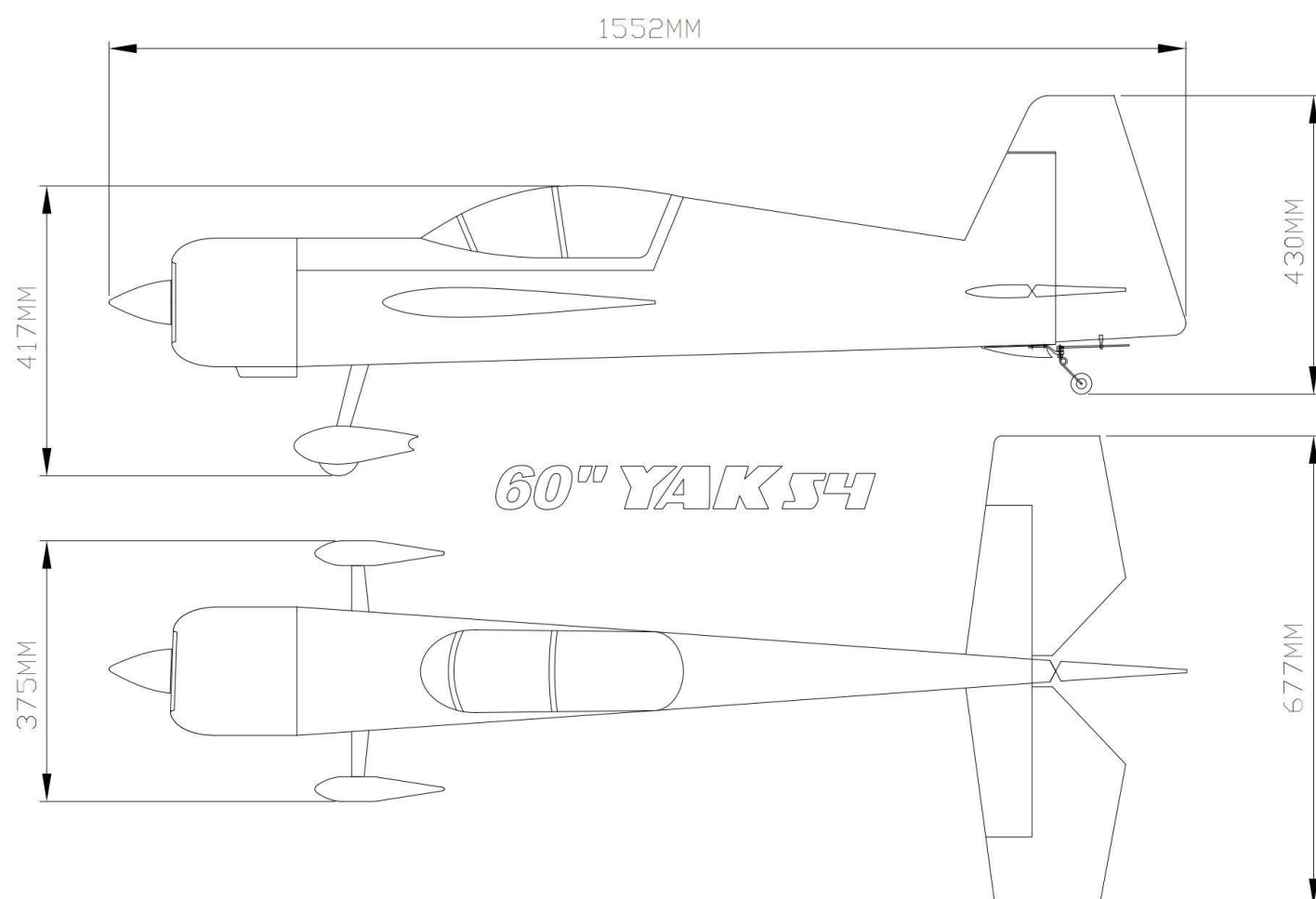


# RC SKYWING

# YAK54



## SPECS

Wingspan 60 in./1524mm  
Length 61 in./1552mm  
Wing Area 508 sq in/47.2dm<sup>2</sup>  
Weight 6.4 lbs/2.9kg  
Packaging Size/ Weight 134\*49\*27cm/7.0kg

Make it easy with the Force 70 Power Combo  
OR requires:

- (4) Digital High Torque MINI Servos
- (4) 1.25" Arms - tapped for 2mm hardware (ailerons x 2, elevator x 2)
- (2) 6" Extensions - aileron servos
- (2) 18-24" Extensions - elevator and rudder servos
- (1) 90a brushless ESC
- (1) 70e brushless motor (Dualsky XM5050EA V3 515kv)
- (1) 16X7 OR 16X8 electric propeller
- (1) 6s 3000-4000mah LiPo battery

**\*\*MOTOR LENGTH SHOULD NOT EXCEED 65MM FROM BACKPLATE TO PROP HUB\*\***

Control settings:

Elevator: Low Rate 8-10 deg. 15-20% expo  
3D Rate 45-50 deg. 60-65% expo  
XA/Tumbling rate 60+ deg. 65-70% expo

Aileron: Low Rate 15-20 deg. 40-45% expo  
High Rate 38-40 deg. 70-75% expo

Rudder: Low Rate 20 deg 40-45% expo  
High Rate 45-50 deg. 80-90% expo

Color scheme;

YAK54 -A (white/blue/yellow)

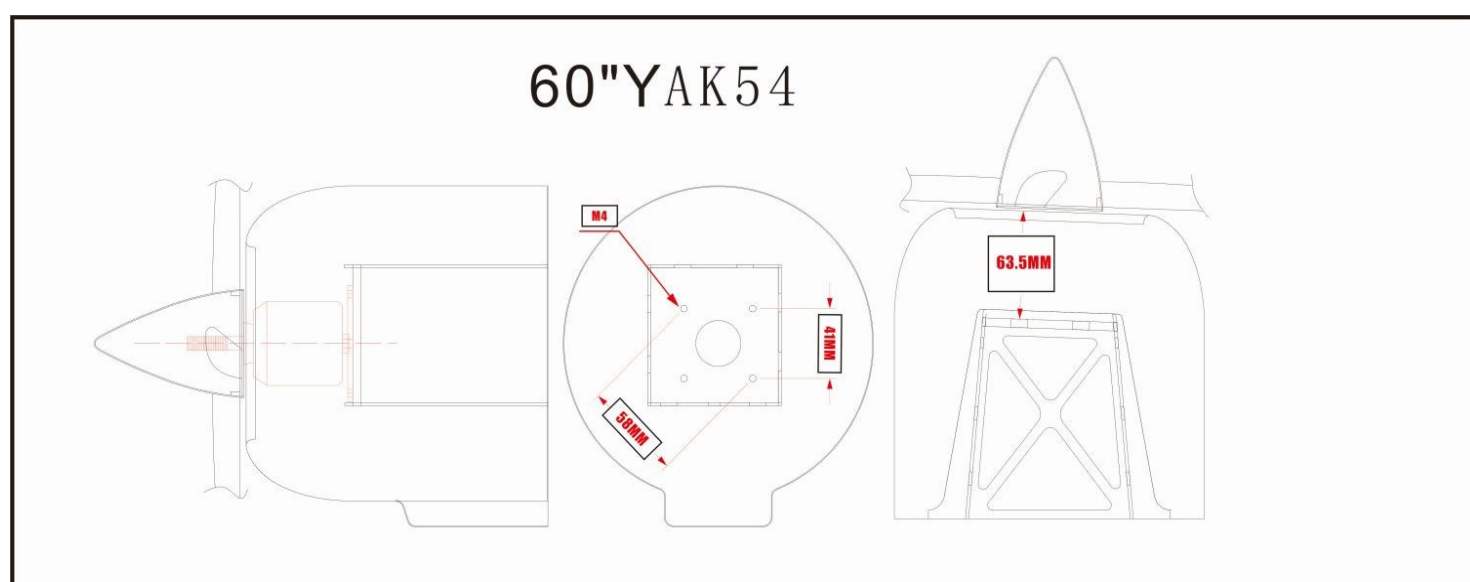
cover color number

- 1; yellow-30
- 2; white-10
- 3; dark blue 052
- 4; silver-91
- 5; pearl blue-SW05

YAK54 -B (white/orange/blue)

cover color number

- 1; Orange-sw-02
- 2; white-10
- 3; corsair blue-19
- 4; silver-91



# RC SKYWING

AVAILABLE AT **EXTREME FLIGHT**